

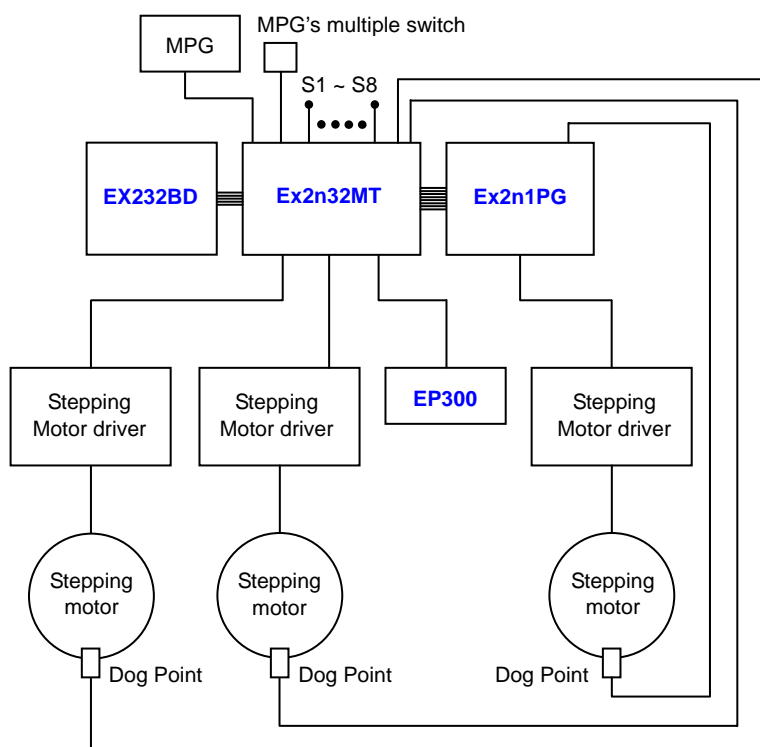
DEMOKIT00301



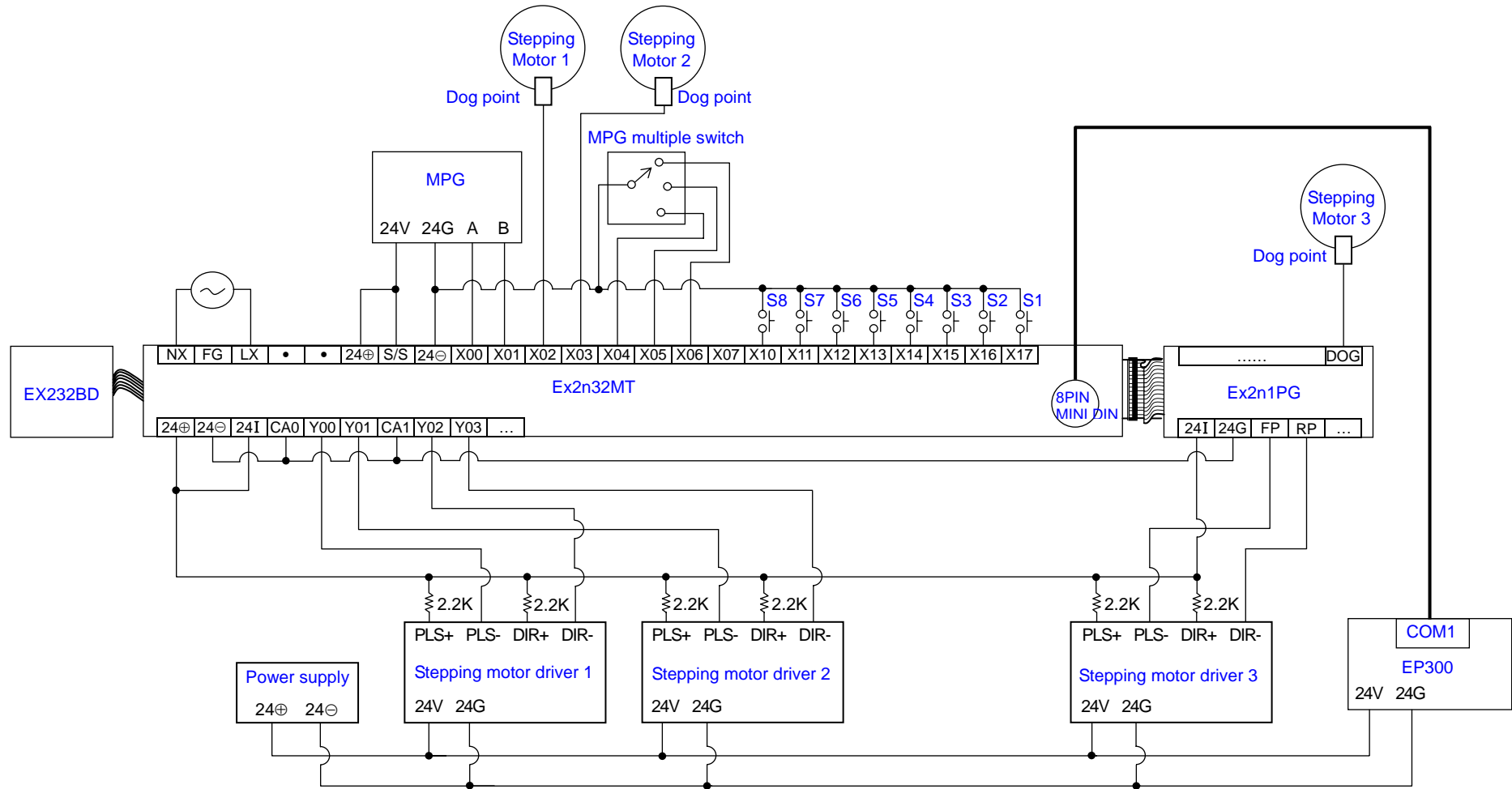
Equipments:

1. EP300 : 1pc
2. Ex2n32MT : 1pc
3. Ex2n1PG : 1pc
4. EX232BD : 1pc
5. stepping motor driver : 3pcs
6. stepping motor : 3pcs
7. Manual pulse generator : 1pc
8. MPG's multiple switch : 1pc
9. Toggle switch : 8pcs

◆ Configuration



◆Wiring diagram



Note: About wiring diagram between Stepping motor driver (PMC2615-16) and stepping motor, please refer to user's manual of stepping motor driver.

◆Program function