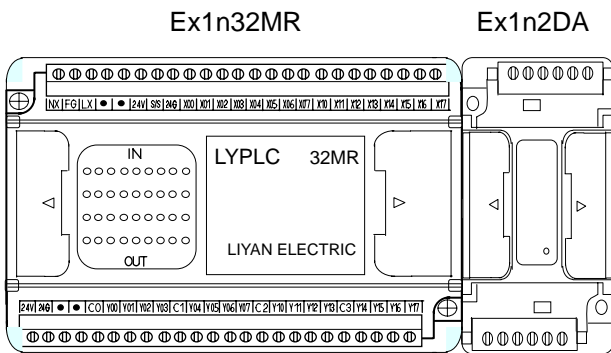


Ex1n2DA : Two channels of 2DA send voltages once every one scan-time

◆ Configuration



◆ Program function